

Panasonic

ideas for life

LCD AV Monitors

WV-LD1500 38.1cm (15")

WV-LD2000 50.8cm (20")



Brighter, Faster, Higher Performance LCD Monitors from Panasonic

Panasonic announces two new LCD monitors equipped with VGA panels that combine brightness with ultra fast response time.

Typical response time is 8ms, minimizing the residual image characteristic of earlier LCDs and making even the quickest movements crisp and clear. The WV-LD1500's 176° (H) x 176° (V) viewing angle keeps colors vivid and contrast sharp when images are viewed from all angles. Horizontal resolution is 450 TV lines. Both monitors accept composite video and S-Video inputs, and switch automatically between NTSC and PAL formats.

The analog RGB input allows these monitors to be used with PCs, providing full support for VGA (640 x 480) images. Both PC window size and position are adjustable. Additional features include audio input and output jacks and built-in speakers with 1.5W amplifier.

Set-up and adjustments are simple, using either front-panel buttons or on-screen menus in any of eight languages. Only 86mm* thick, these monitors can either be placed on desktops or hung on walls using locally supplied standard VESA brackets. The security slot in the back of the display supports industry-standard theft prevention measures. The supplied power adapter adjusts automatically to 100V - 240V

AC power sources. Compared to CRT's, these monitors are durable, energy efficient, and offer significant space savings.

The WV-LD1500/WV-LD2000 high quality monitors are economical and ideal for a wide variety of security applications.

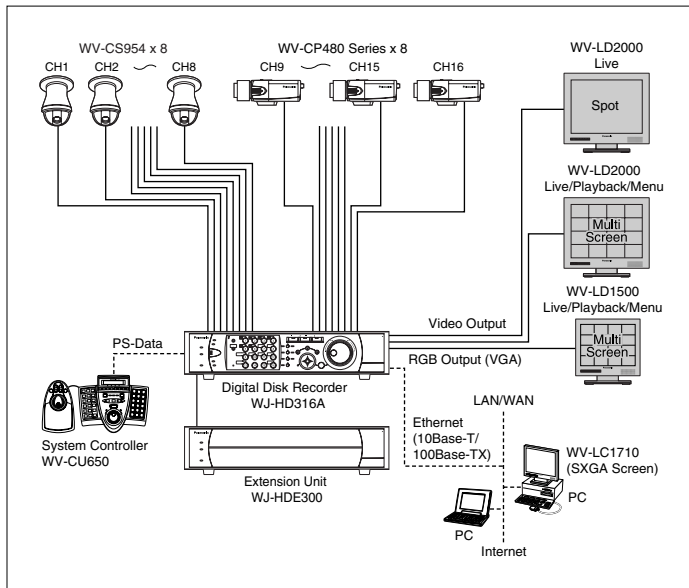
(*Excluding the stand)

KEY FEATURES

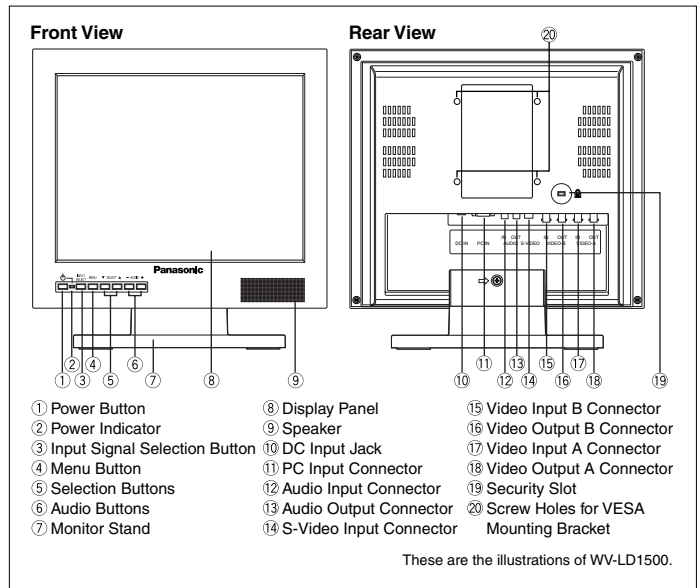
- Screen size: WV-LD1500 38.1cm (15") TFT LCD
WV-LD2000 50.8cm (20") TFT LCD
- Rapid response time of 8ms (Typical).
- Screen resolution: 640 x 480 (VGA).
- Horizontal resolution: 450 TV lines.
- High contrast, 176° (H) x 176° (V) wide field of view (WV-LD1500).
- Automatically switches between NTSC and PAL formats.
- Three (3) terminals: Composite, S-Video and RGB for PC input.
- 2ch. BNC composite input with loop throughout.
- Max. 1.5W speaker output.
- Picture setup and adjustment using on-screen menus and front-mounted buttons.
- Setup menus can be displayed in eight (8) languages: English, French, German, Spanish, Italian, Chinese, Russian and Japanese.
- Durable, light weight plastic construction.
- Wall-mountable using locally supplied standard VESA mounting bracket (optional).
- Power supply: 100V - 240V AC with AC adapter.

Note: All TV pictures are simulated.

SYSTEM EXAMPLE



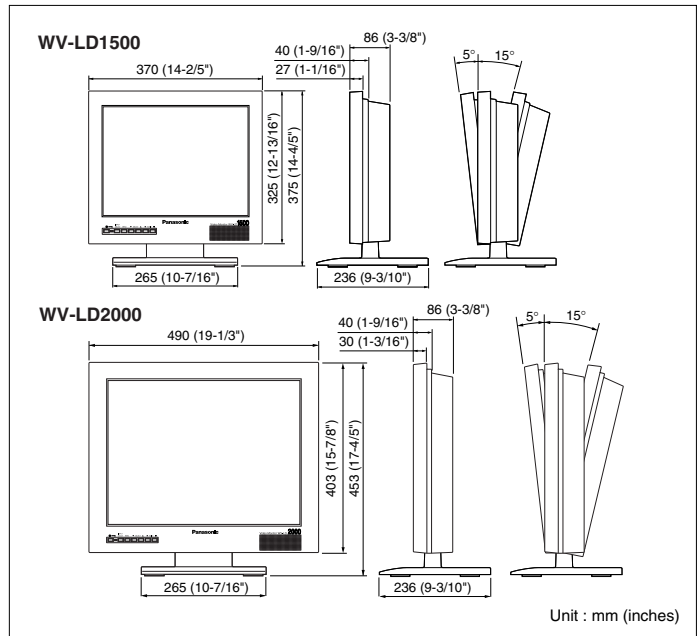
MAJOR OPERATING CONTROLS & TERMINALS



SPECIFICATIONS

Model No.	WV-LD1500	WV-LD2000
Power Supply	100 V - 240 V AC, 50/60 Hz (using the supplied AC adapter)	
Power Consumption (including the supplied AC adapter)	43 W	51 W
Display Panel (Built-in dual CCFT's)	38.1 cm (15") TFT LCD	50.8 cm (20") TFT LCD
Display Area (H x V)	305.28 mm x 228.96 mm (12" x 9")	408 mm x 306 mm (16" x 12")
Display Pixel	640 x 480 (VGA)	
Aspect Ratio	4 : 3	
Brightness	400 cd/m ² (Typical)	
Contrast Ratio	800 : 1 (Typical)	500 : 1 (Typical)
Display Colors	Approx. 16,000,000	
Viewing Angle (L-R/U-D)	176°/176°	160°/140°
TV Mode	Composite Video Input, Y/C Video Input: NTSC/PAL (Auto)	
Horizontal Resolution	450 or more TV lines	
Video Input (VIDEO-A IN, VIDEO-B IN)	1.0 V [p-p] / 75 Ω, composite video signal, BNC connectors x 2	
Video Output (VIDEO-A OUT, VIDEO-B OUT)	Auto-termination loop-thru, BNC connectors x 2	
S-Video Input (S-VIDEO IN)	Y=1.0 V [p-p] / 75 Ω, C= 0.3 V [p-p] / 75 Ω, Mini DIN jack	
PC Input (PC IN)	RGB, 0.7 V [p-p] / 75 Ω, Horizontal and vertical timing pulse: TTL, 15-pin Mini D-sub connector	
Speaker Output	1.5 W	
Audio Input	-8 dB / Hi-Z, RCA pin jack	
Audio Output	Loop-thru output, RCA pin jack	
Ambient Operating Temperature	0 °C - +40 °C (+32 °F - +104 °F)	
Ambient Storage Temperature	-20 °C - +65 °C (-14 °F - +149 °F)	
Ambient Operating Humidity	Less than 90 %	
Screw Holes for VESA Mounting Bracket	100 mm (3-9/16") pitch, VESA standard	
Dimensions (W x H x D) (including the monitor stand)	370 mm x 375 mm x 236 mm (14-2/5" x 14-4/5" x 9-3/10")	490 mm x 453 mm x 236 mm (19-1/3" x 17-4/5" x 9-3/10")
Weight (including the monitor stand)	5.12 kg (11.3 lbs.)	8.89 kg (2.0 lbs.)

APPEARANCE



OPTIONAL COMPONENTS & ACCESSORIES

<p>Super Dynamic III Color Dome Camera WV-CS954</p>	<p>Weather Proof Super Dynamic III Color Dome Camera WV-CW964</p>	<p>Vandal Proof Super Dynamic II Color Cameras WV-CW474A Series</p>	<p>Super Dynamic III Color Surveillance Cameras WV-CP480 Series</p> <p>(Lens: optional)</p>	<p>Digital Disk Recorders WJ-HD316A (16ch) WJ-HD309A (9ch)</p>	<p>System Controller WV-CU650</p>	<p>Matrix System SYSTEM650</p>
--	--	--	--	--	--	---

Important – Safety Precaution: carefully read the operating instructions and installation manual before using this product.

• All TV pictures are simulated. • Weights and dimensions are approximate. • Specifications are subject to change without notice. • These products may be subject to export control regulations.

Panasonic

Panasonic System Solutions Company
Unit Company of Panasonic Corporation of North America
Security Systems

Website : www.panasonic.com/security

For Customer Support : call **1.877.733.3689**

Executive Office : Three Panasonic Way 2H-2, Secaucus, New Jersey 07094
Zone Offices

Eastern : Three Panasonic Way, Secaucus, New Jersey 07094

Central : 1707 N. Randal Road, Elgin, IL 60123

Southern : 1225 Northbrook Parkway, Suwanee, GA 30024

Western : 6550 Katella Ave., Cypress, CA 90630

DISTRIBUTED BY:

PANASONIC CANADA INC.

5770 Ambler Drive, Mississauga, Ontario, L4W 2T3 Canada (905) 624-5010

PANASONIC PUERTO RICO INC.

DIVISION OF PANASONIC CORPORATION OF NORTH AMERICA

San Gabriel Industrial Park, 65th Infantry Ave. KM. 9.5 Carolina, P.R. 00985 (809) 750-4300

Printed in Japan

WV-JHLD1500T(2P-538)